

**NOT ALL
BROCHURES
ARE ALIKE.
THIS ONE COULD
SAVE YOU
\$1,200,000.**

KEEP IT HANDY.



**THE
BUTRESS**

WHEN CERTAINTY MATTERS™

JUST GOOGLE IT

Use the key words:

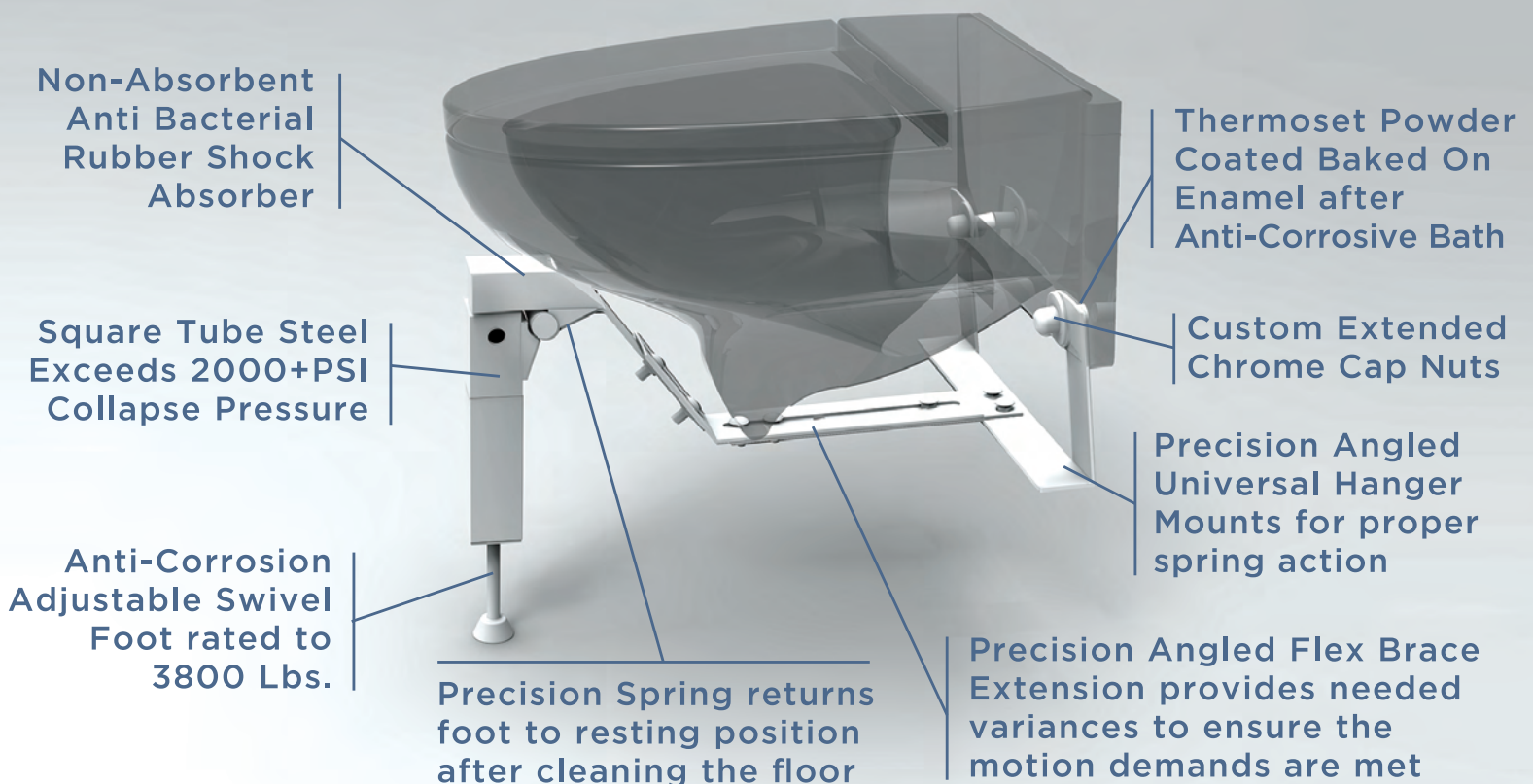
Trump / \$1.2 Million / Toilet Collapsing / Taj Mahal Casino Resort

Or go to <http://tinyurl.com/h6gyoq9> to see that the threat is real.

The Buttress - When Certainty Matters

Features & Strengths of The Buttress™ Universal Toilet Support

(No caulking required - Ready to use **immediately** after installation)



Fits Virtually Any Toilet

TOTO®

KOHLER

ELJER

Mansfield™

American Standard



Got ADA Compliance?

Whether you agree with the government calling obesity a disease or not, the reality is that your company will be heavily fined if found not in compliance with any new regulations about the safety of wall hung toilets.

Installing The Buttress can easily put you ahead of government regulations, not to mention give you peace of mind that you've protected your organization from lawsuits and other pesky legal matters that get in the way of profitability. Call today to get this process underway. You'll be glad you did!

Sure, there are cheaper products....

If ever there was a perfect place for the time-tested axiom "you get what you pay for", this is it. Allow us to show you what your investment brings to the table.

With The Buttress you'll be getting the best wall mounted toilet support known to man. One that's made of steel with good American know-how and skill. One that custodial staff don't get frustrated working with. One that you can be certain will never fail you or your patrons. Ever. One that easily installs in less than 15 minutes and is ready to use immediately. Yes, we cost a little more than the other guys, but we know you'll agree we're worth it!

How much will it hold?

We could show you our research pictures of over 1,200 pounds of weights applied to The Buttress, but what's the point? Truth is we've never found a weight limit for it yet. That's why we're confident about being the right choice *when certainty matters*.

How many times does something* have to be thrown away before it is a poor investment?

We've all bought things we wish we hadn't. Finding the right support for wall mounted toilets is no different. You do have choices. But if you listen to the frustrated custodial staff we have, you'll find **they all preferred The Buttress to other less robust* supports**. Not because The Buttress is stronger than any other supports on the market. Or because it's made of steel instead of plastic. No, it's because a mop can never knock it down. That's because we use real hardware to mount The Buttress securely to existing plumbing, not double-sided tape like the other guys.



"We finally just threw them* away since they kept falling off."

Don't read below this if you are easily offended.

Think of an injured, embarrassed, soiled, half-naked person on the floor having fallen from a broken wall mounted toilet. (Yes, we really have pictures.) Offended yet? **Question:** Wouldn't the people you report to be equally incensed by having to pay out \$1.2 million (or more) to settle each and every lawsuit for something easily corrected by **The Buttress**? No offense, but you need to call today to see how we can help make your facilities safer so you never offend someone else.

BY THE NUMBERS

9 important statistics you should be aware of today.

1 in 20

Number of adults now in America considered to be morbidly obese.

350

Pounds of weight the average wall hung toilet is rated to hold.

1.2 MM

Dollars paid out to a victim of a broken wall hung toilet by Trump Taj Mahal Casino.

0

Number of minutes needed between installation and usage.

(Competitors device requires 24 hours)

0

Number of The Buttress units thrown away by custodians because "they fell off".

\$60k

Cost to outfit a 200 toilet facility with The Buttress

HELPING PREVENT COSTLY LAWSUITS TOTALING OVER \$240 MILLION.

100%

Total number of The Buttress units made right here in America.

Over 43,600

Number of The Buttress units in use domestically.

14

Average number minutes needed to install The Buttress and gain peace of mind.